



US00D473598S

(12) **United States Design Patent**
Izen et al.

(10) **Patent No.:** **US D473,598 S**

(45) **Date of Patent:** **** Apr. 22, 2003**

(54) **WOODEN KAZOO**

(75) Inventors: **Mark S. Izen**, Chestnut Hill, MA (US);
Craig Small, Natick, MA (US)

(73) Assignee: **First Act, Inc.**, Newton, MA (US)

(**) Term: **14 Years**

(21) Appl. No.: **29/158,255**

(22) Filed: **Mar. 29, 2002**

(51) **LOC (7) Cl.** **21-01**

(52) **U.S. Cl.** **D21/411; D17/10**

(58) **Field of Search** **D17/10, 13, 99;**
84/383 R, 398; D21/405, 411; 446/202-203

(56) **References Cited**

U.S. PATENT DOCUMENTS

D53,470 S	*	6/1919	Sorg et al.	D17/10
1,465,675 A	*	8/1923	McIntyre	446/203
D101,969 S	*	11/1936	Peebles	D17/10
D154,756 S	*	8/1949	Ferrier	D17/10
D254,911 S	*	5/1980	Larson	D17/10
D266,695 S	*	10/1982	Trammll et al.	D24/110

D268,425 S	*	3/1983	May	D21/411
D268,426 S	*	3/1983	May	D21/411
D269,195 S	*	5/1983	May	D21/411
D300,438 S	*	3/1989	Berghash et al.	D21/411
D360,904 S	*	8/1995	Schilling	D10/119

* cited by examiner

Primary Examiner—Ruth McInroy

(74) *Attorney, Agent, or Firm*—John E. Toupal; Harold G. Jarcho

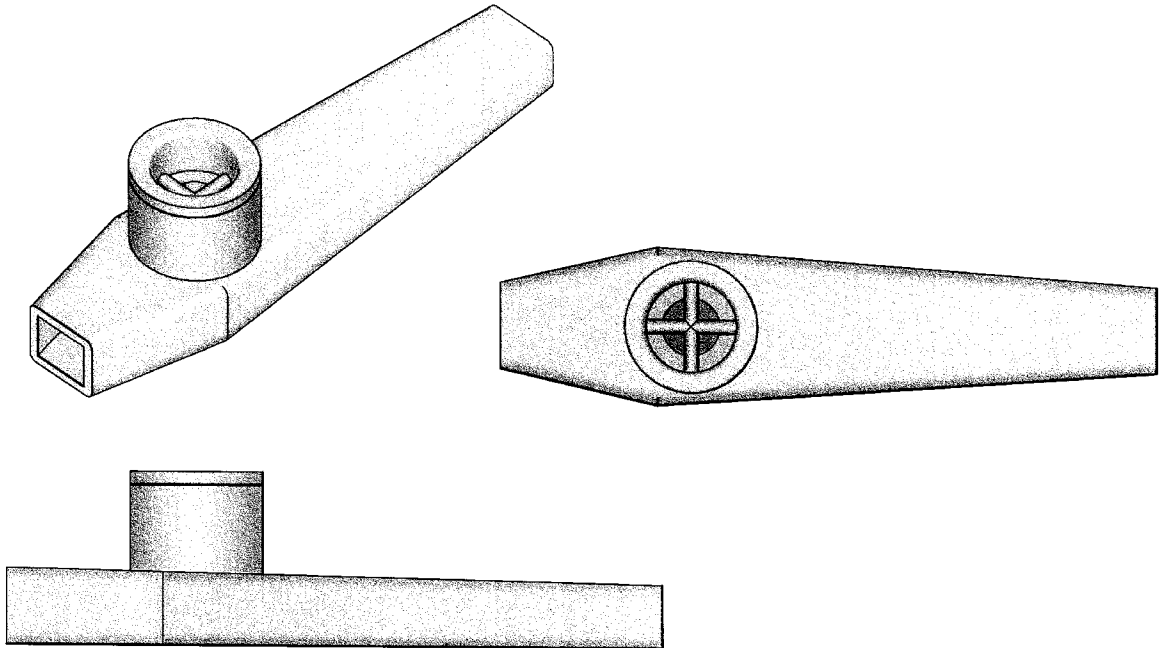
(57) **CLAIM**

We claim the ornamental design for a wooden kazoo, as shown and described.

DESCRIPTION

FIG. 1 is a perspective view of a wooden kazoo showing our new design;
 FIG. 2 is a right side view thereof, the left side is a mirror image of the right;
 FIG. 3 is a top view thereof;
 FIG. 4 is a bottom view thereof;
 FIG. 5 is a front view thereof; and,
 FIG. 6 is a rear view thereof.

1 Claim, 3 Drawing Sheets



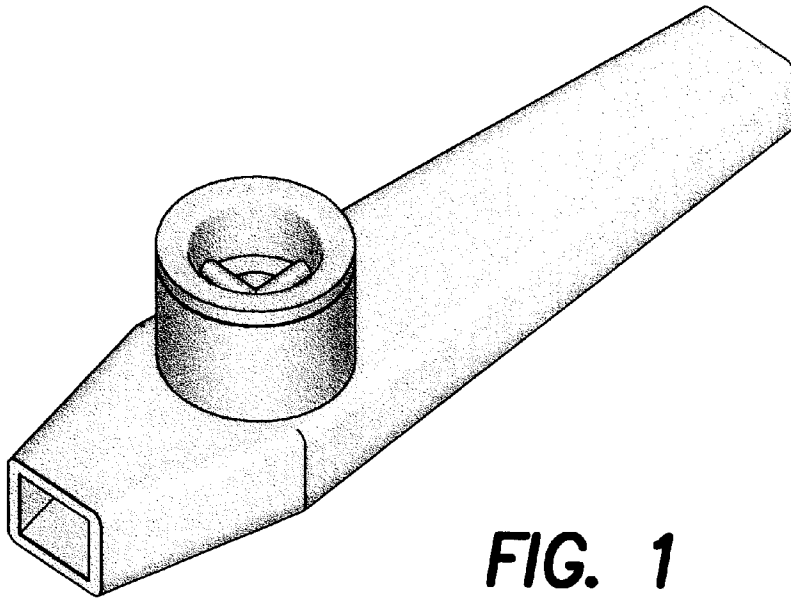


FIG. 1

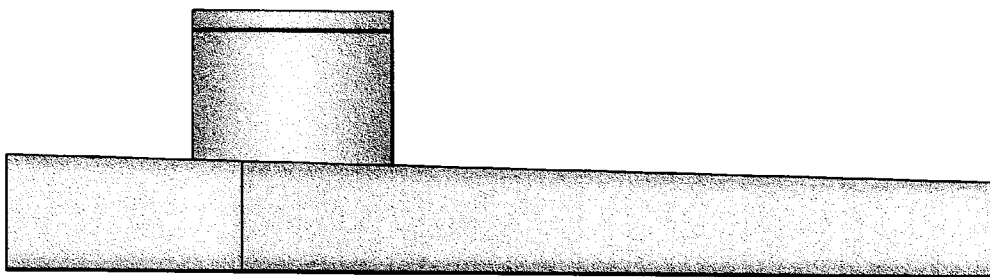


FIG. 2

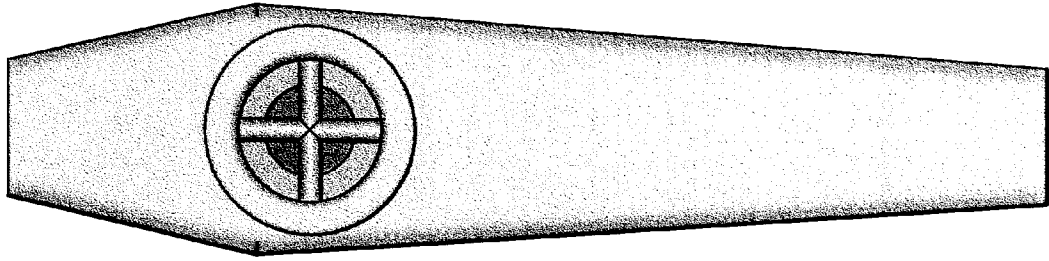


FIG. 3

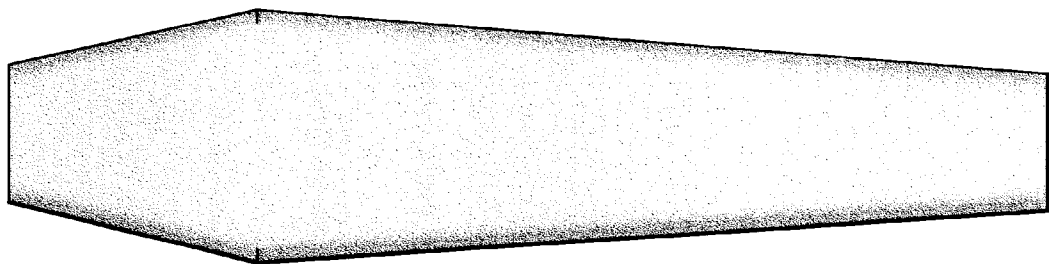


FIG. 4

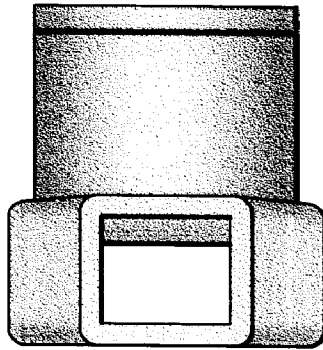


FIG. 5

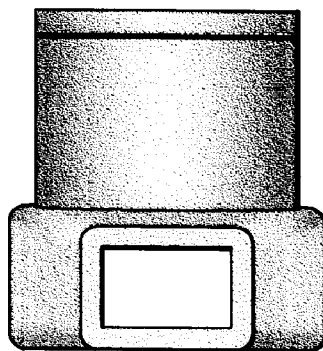


FIG. 6