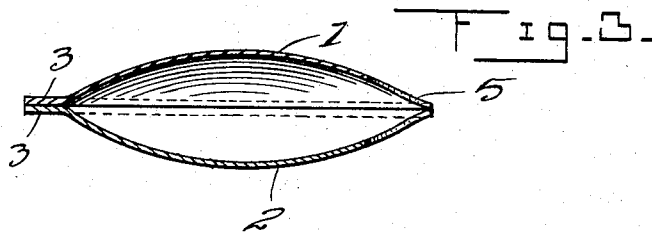
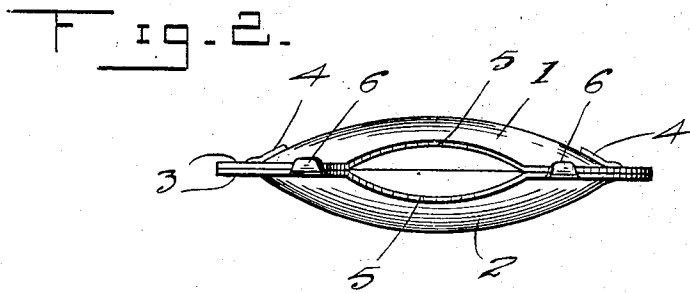
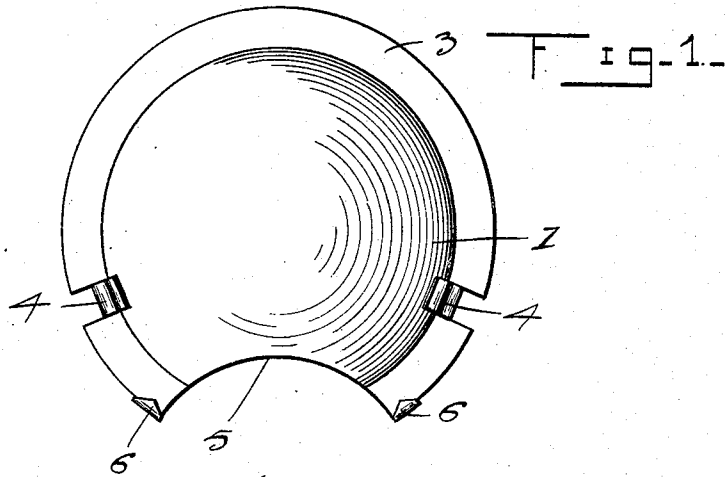




B. BUCHLER.
SOUNDING TOY.
APPLICATION FILED APR. 8, 1915.

1,219,241.

Patented Mar. 13, 1917.



Witnesses

C. P. Hall
E. J. ...

Inventor
B. Buchler,

By *A. T. ...*
Attorney